

PD4N-CAS DALI-2

For larger areas with integrated DALI-2 power supply

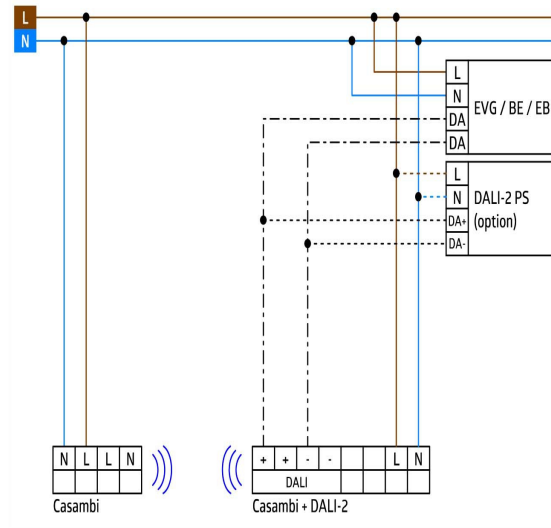
- Casambi-enabled occupancy detector
- DALI-2 interface for controlling digital dimmable ECGs in broadcast/multicast mode
- Mixed light measurement with internal and external light sensor
- Adjustment of the reflection factor
- Functions adjustable via Casambi app
- Application examples: Entrance halls, Corridors/Hallways, Open-plan offices, Conference rooms, Classrooms/Seminar rooms, Sports halls/ Storage rooms

Specification

SUPPLY VOLTAGE	230V AC $\pm 10\%$ / 50Hz
POWER CONSUMPTION	approx. 0,5W
MATERIAL ENCLOSURE	Polycarbonate, UV-resistant
TEMPERATURE RANGE	-5°C...+45°C
INGRESS PROTECTION	IP20
PROTECTION CATEGORY	II
LIGHT VALUES	1 - 4000 Lux
AREA OF COVERAGE	circular 360°
RANGE OF COVERAGE	\varnothing H 2.50m / T = 18°C: seated 6.40m tangential 24m radial 8m

RECOMMENDED HEIGHT FOR MOUNTING	2,5m
LIGHT MEASUREMENT	Mixed light, daylight + artificial light
FOLLOW-UP TIME	1 - 60min.
HALOGEN-FREE	Yes

Wiring



Variants

E-NUMBER	ARTICLE NO.	DESCRIPTION	INGRESS PROTECTION	COLOUR	PCS/PACK
1301768	93473	PD4N-CAS DALI-2	IP20	White	1
1313683	92199	Wire Basket BSK	-	White	1
1313699	93164	Wall holder PD2N/PD4N	-	White	1
1313711	93192	SM socket for Wall holder	-	White	1