

PD4N-CASDALI-2-SNABBKOPPLING

For larger areas with integrated DALI-2 power supply

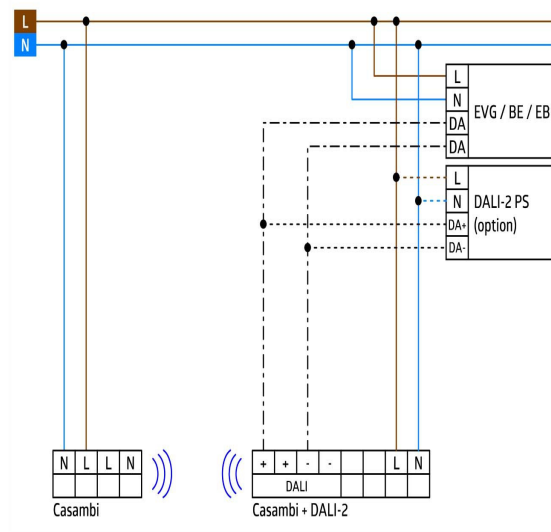
- Preassembled, 5-pole plug with a 2m extension cord (halogen-free Dca cable) - Rutab Building Installation Connector System
- Casambi-enabled occupancy detector
- DALI-2 interface for controlling digital dimmable ECGs in broadcast/multicast mode
- Mixed light measurement with internal and external light sensor
- Adjustment of the reflection factor
- Functions adjustable via Casambi app
- Application examples: Entrance halls, Corridors/Hallways, Open-plan offices, Conference rooms, Classrooms/Seminar rooms, Sports halls/ Storage rooms

Specification

SUPPLY VOLTAGE	230V AC ±10% / 50Hz
POWER CONSUMPTION	approx. 0,5W
MATERIAL ENCLOSURE	Polycarbonate, UV-resistant
TEMPERATURE RANGE	-5°C...+45°C
INGRESS PROTECTION	IP20
PROTECTION CATEGORY	II
LIGHT VALUES	1 - 4000 Lux
AREA OF COVERAGE	circular 360°

RANGE OF COVERAGE	\varnothing H 2.50m / T = 18°C: seated 6.40m tangential 24m radial 8m
RECOMMENDED HEIGHT FOR MOUNTING	2,5m
LIGHT MEASUREMENT	Mixed light, daylight + artificial light
FOLLOW-UP TIME	1 - 60min.
CABLE LENGTH M	2
HALOGEN-FREE	Yes

Wiring



Variants

E-NUMBER	DESCRIPTION	INGRESS PROTECTION	COLOUR	PCS/PACK
1303001	PD4N-CAS DALI-2 Connector System	IP20	White	1
1313683	Wire Basket BSK	-	White	1